

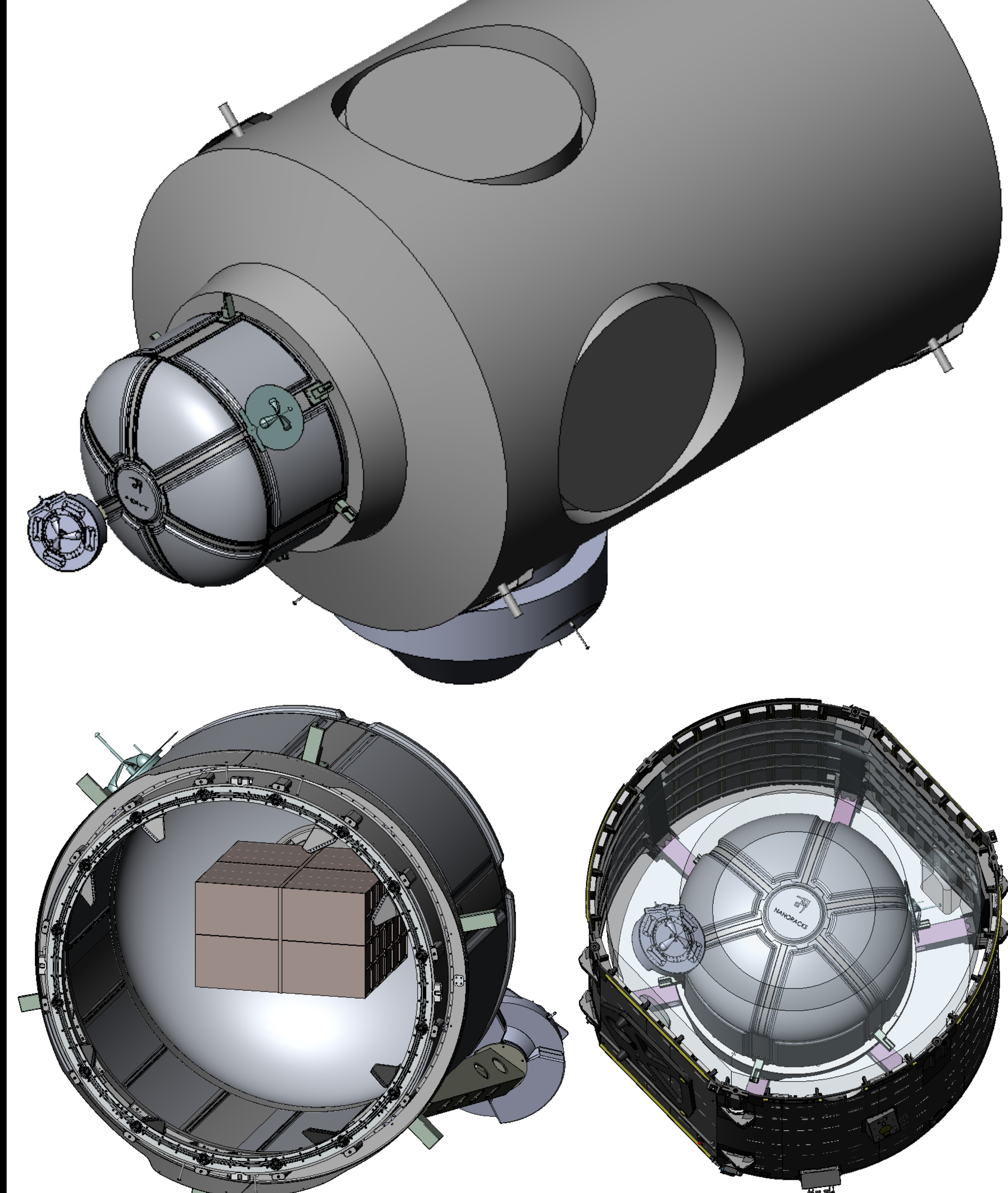
MR. MICHAEL LEWIS, CHIEF TECHNOLOGY OFFICER, NANORACKS

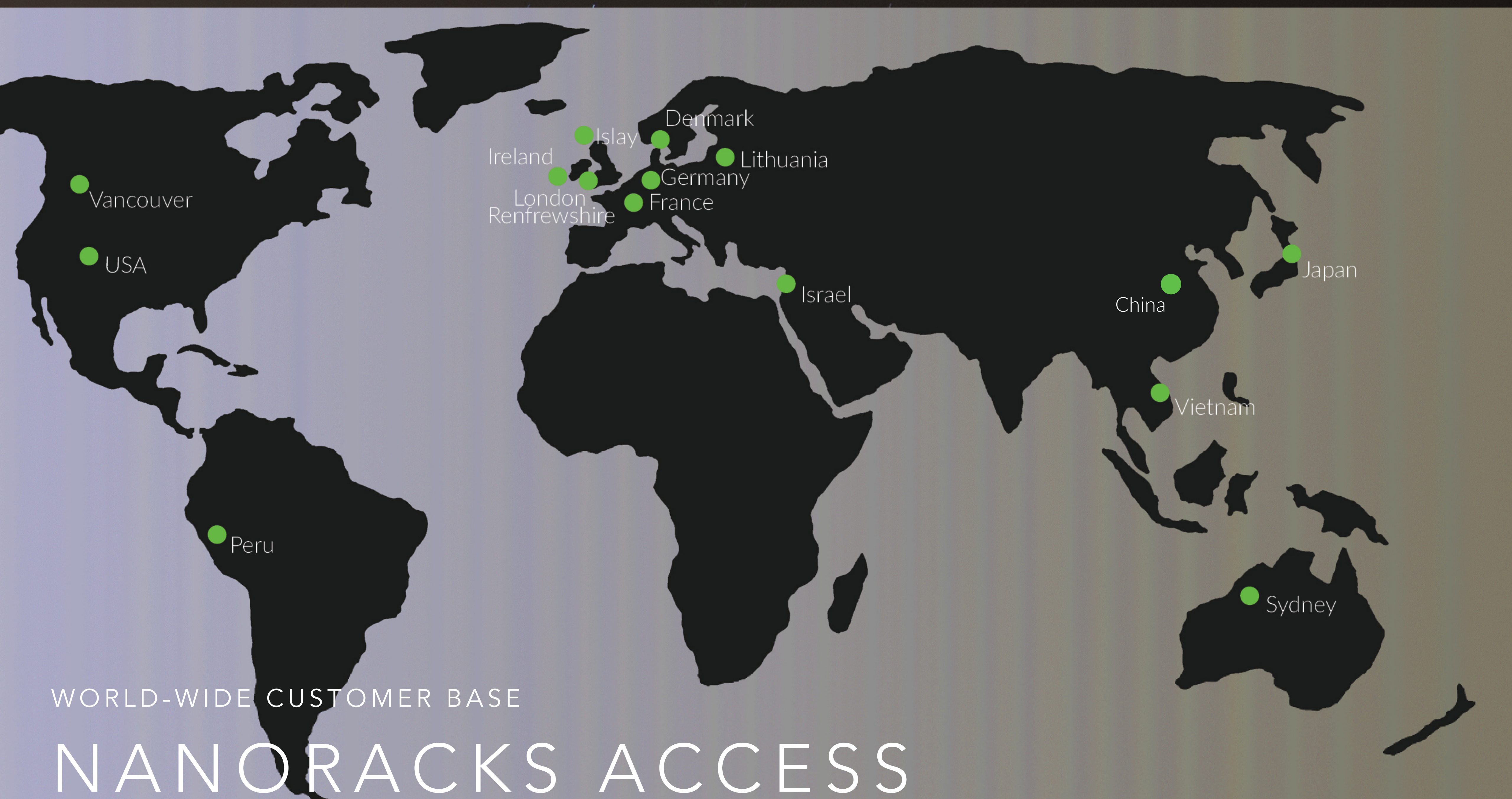
# COMMERCIAL SPACE STATION AIRLOCK



# COMMERCIAL AIRLOCK

- NanoRacks will develop, deploy, and operate the next generation of an ISS payload accommodation system
- Building upon NanoRacks successful NanoLab Modules, NanoRacks CubeSat Deployers, NanoRacks External Platform, and Kaber System

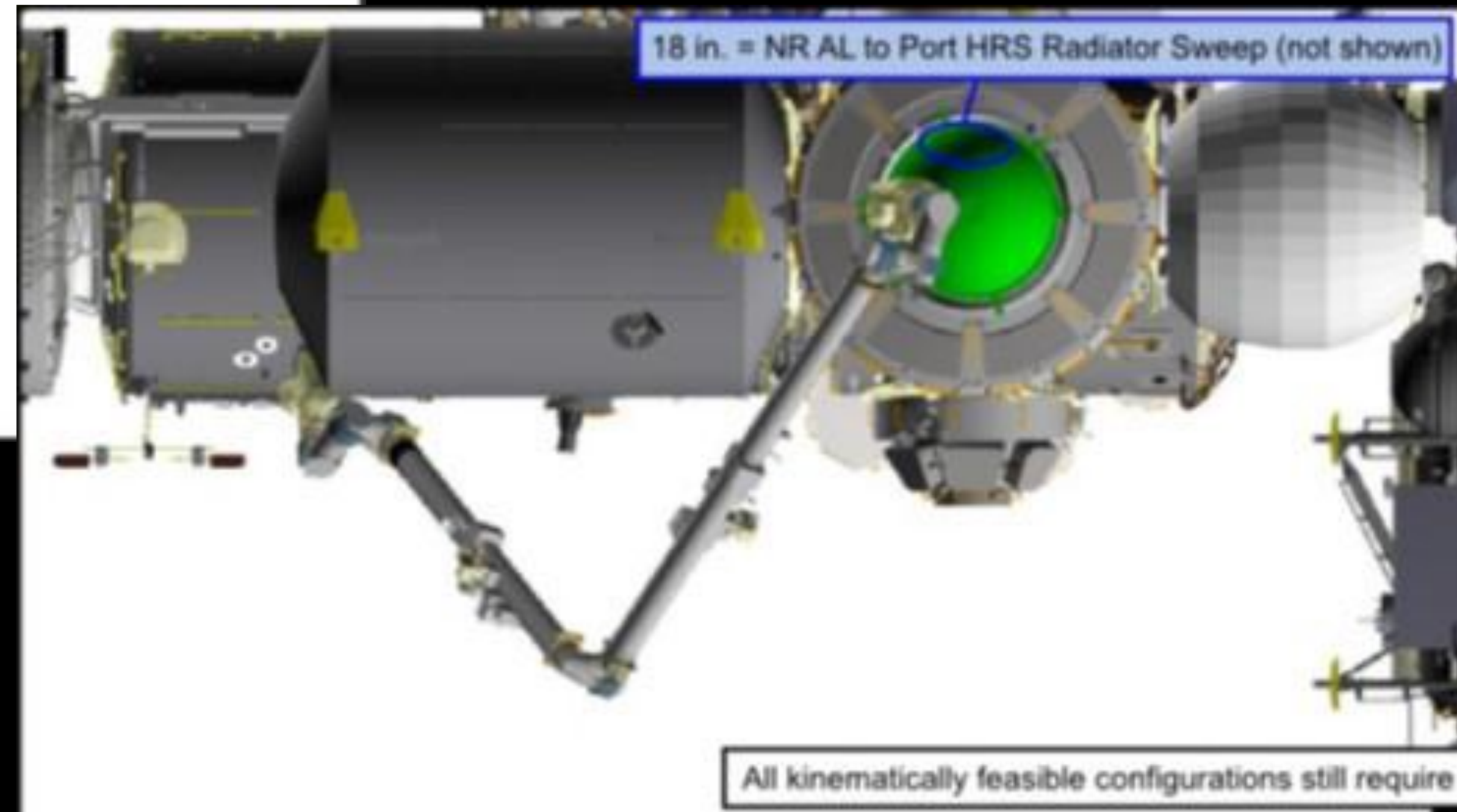
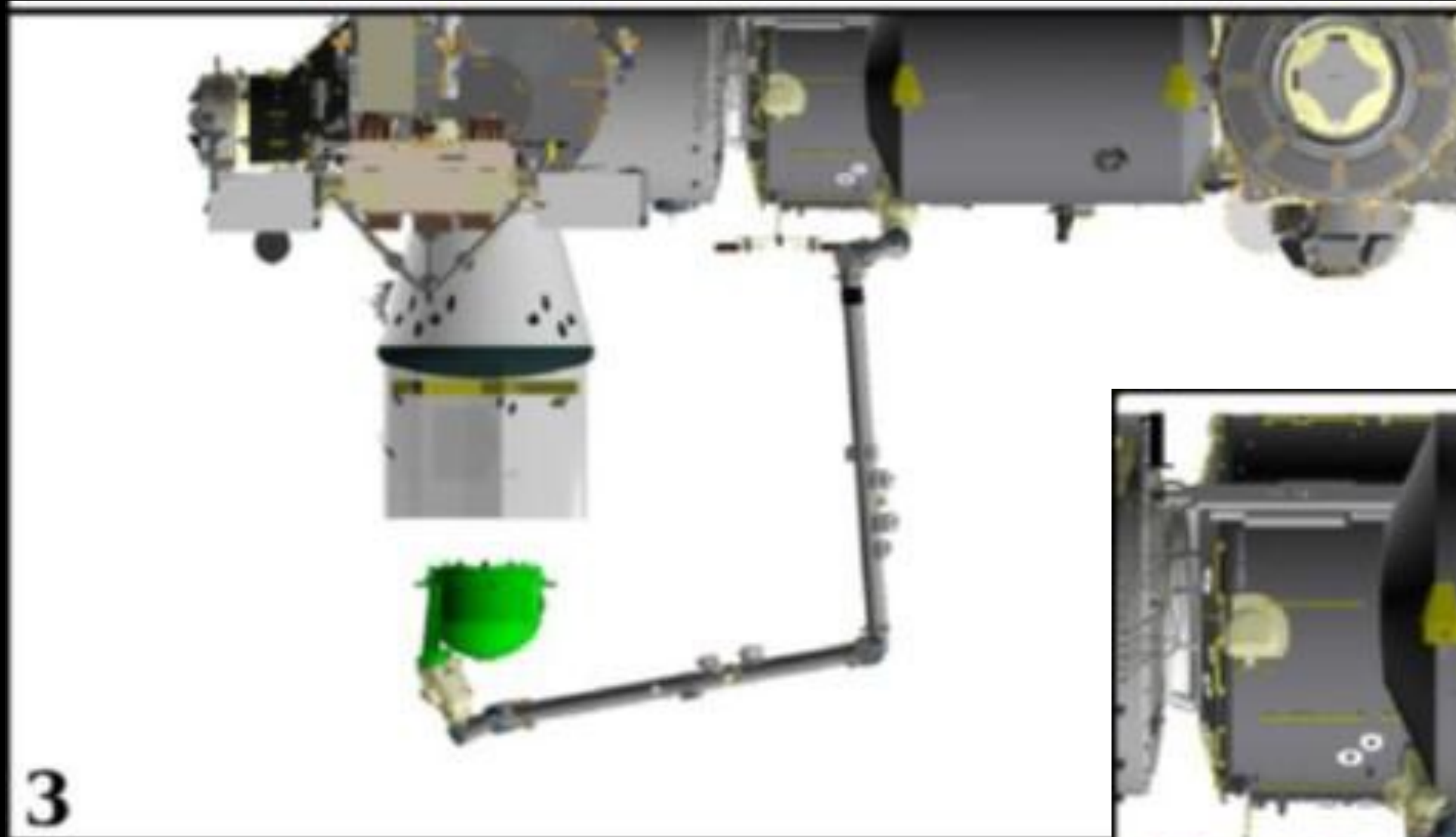




WORLD-WIDE CUSTOMER BASE

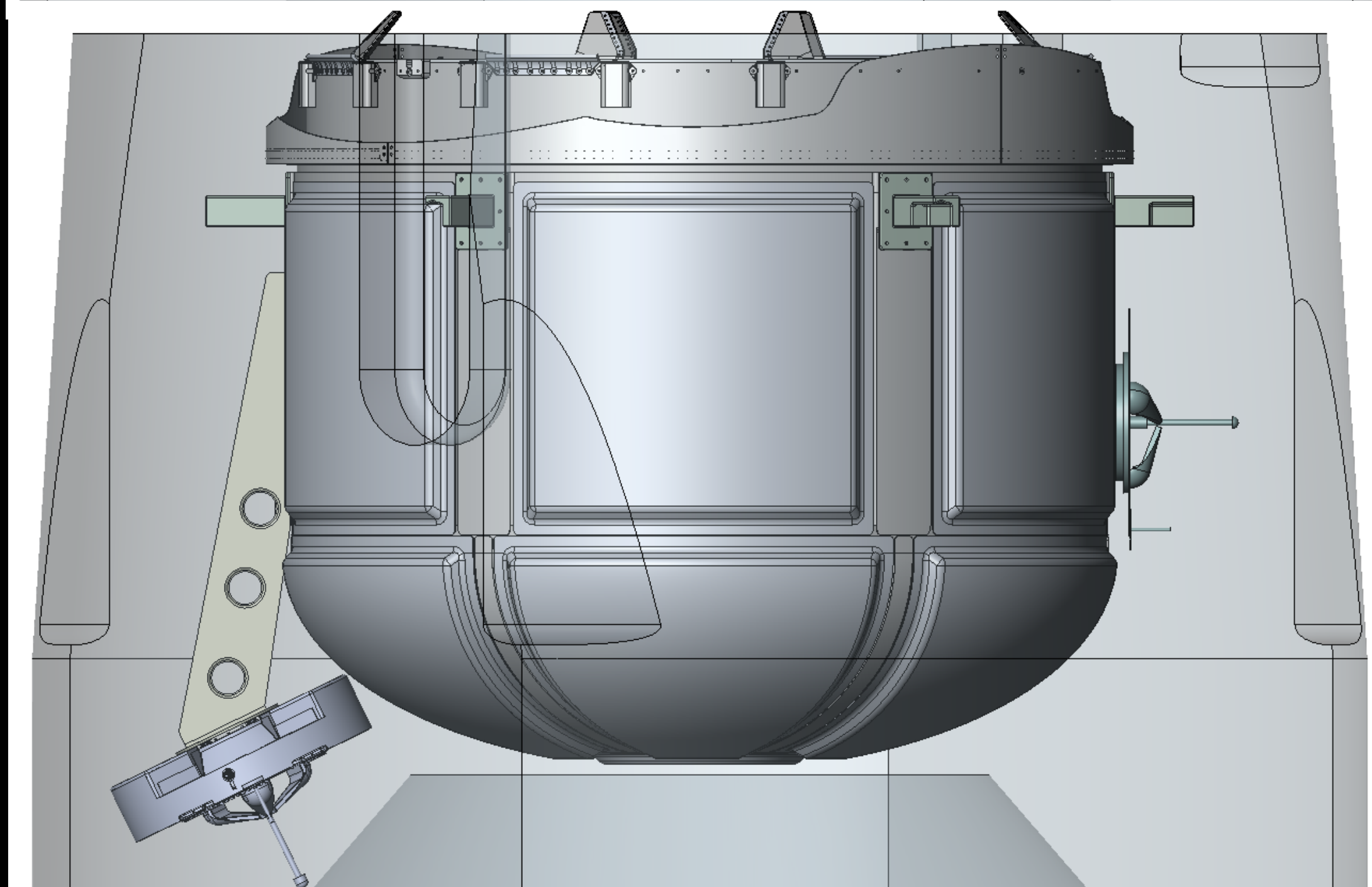
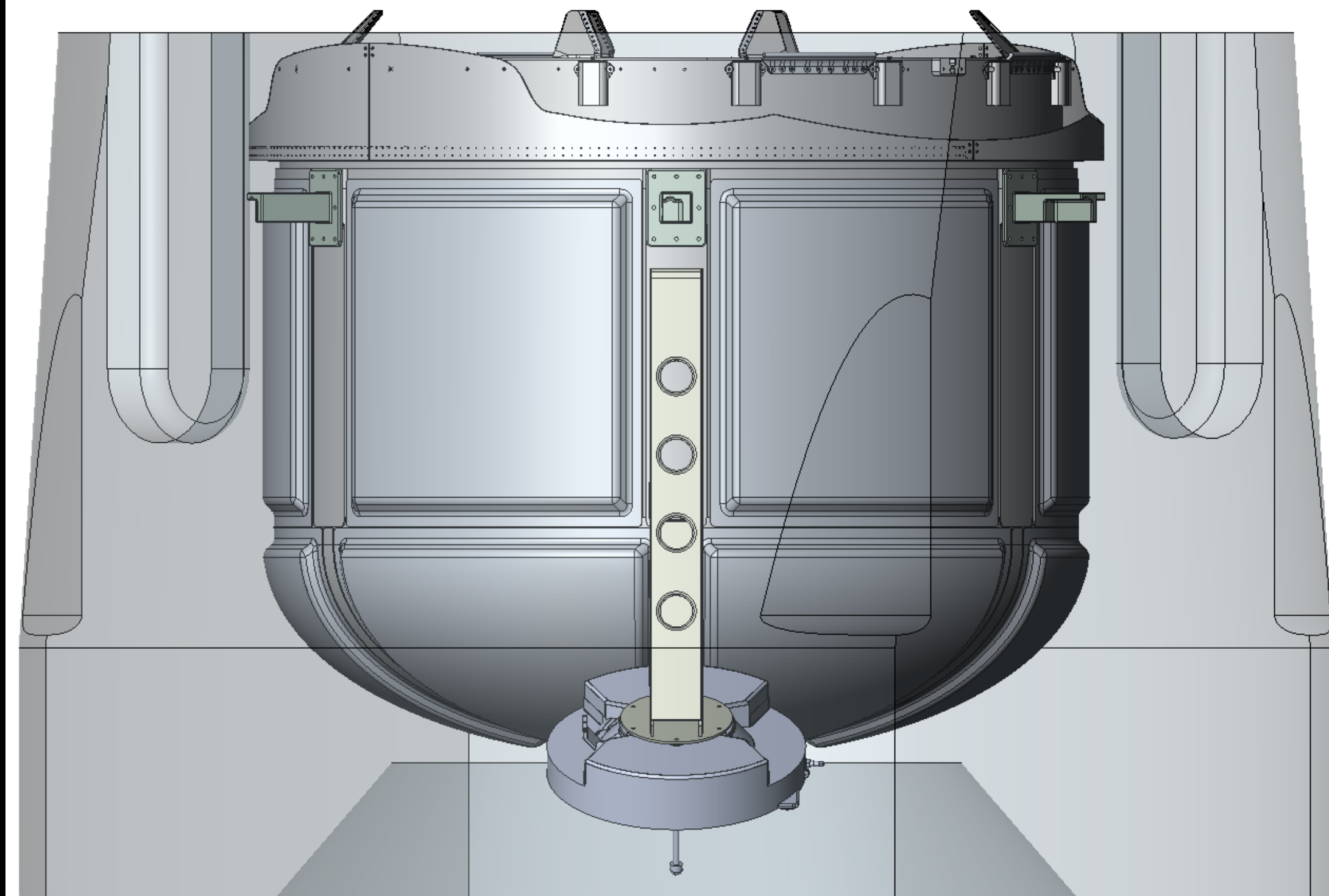
# NANORACKS ACCESS

# FUTURE CAPABILITIES TO THE ISS



# AIRLOCK CAPACITY

- Provide additional airlock capacity for launching commercial satellites from the International Space Station
- Currently envisioned for installation on Node 3, Port



# THE MARKET

- Commercial satellite upmass
- United State government
- Discussion with European Companies for outside of station
- Doorway to moving beyond ISS
- Manufacturer: Orbital ATK

