

Document: NR-SRD-063	NRCSD ICD Change Notice	NANORACKS
Classification: Public Domain	Date: August 11, 2014	Revision 0.1



Document Change Notice (DCN)

NRCSD Guide Rail Width

NanoRacks, LLC
555 Forge River Road, Suite 120
Webster, TX 77598
(815) 425-8553
www.NanoRacks.com

Document: NR-SRD-063	NRCSD ICD Change Notice	NANORACKS
Classification: Public Domain	Date: August 11, 2014	Revision 0.1

Table of Contents


1	Document Purpose	3
2	DCN Summary	3
3	Change Notifications	4
3.1	NRCSD Guide Rail Dimensions	4

Document: NR-SRD-063	NRCSD ICD Change Notice	NANORACKS
Classification: Public Domain	Date: August 11, 2014	Revision 0.1

1 Document Purpose

This Document Change Notice (DCN) notifies changes made to the NanoRacks CubeSat Deployer (NRCSD) Interface Control Document (NR-SRD-029). Developers utilizing NanoRacks CubeSat deployment services shall comply with all changes presented in this document, unless otherwise approved by NanoRacks. These changes will be incorporated into the next revision of the NRCSD ICD (Revision 0.37).

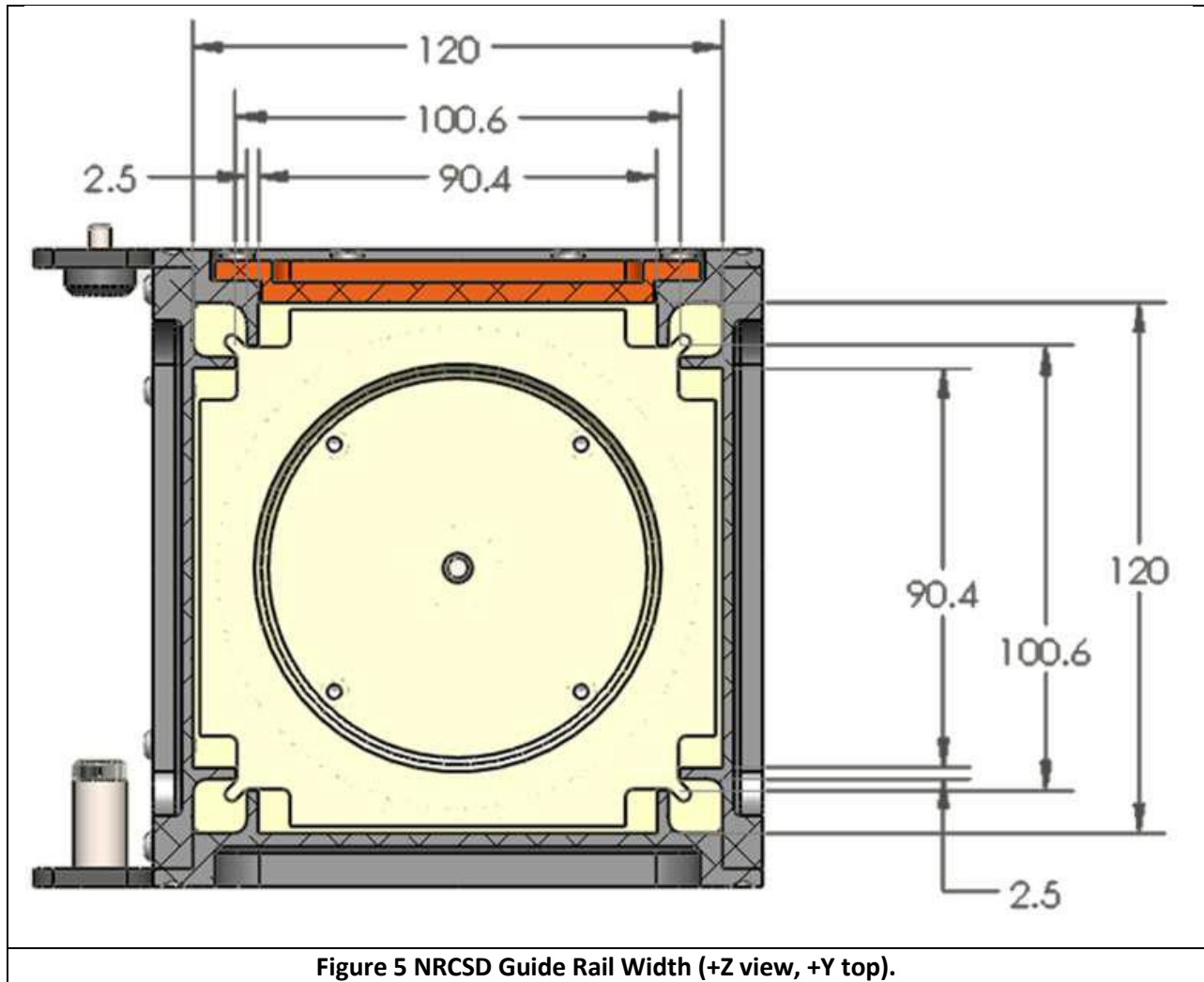
2 DCN Summary

DCN Number	NR-SRD-063	
Document Affected	NRCSD ICD REV36, NR-SRD-029	
Change Description	1. NRCSD guide rail width change	
Reason for Change	1. ICD update	
DCN Distribution	Current and previous external payload developers; NanoRacks Internal	
Originator	Kirk Woellert, External Payloads Manager, NanoRacks	
Reviewers	NanoRacks Flight Safety: Bob Alexander, 7-28-2014	
	NanoRacks Avionics: NA	
	NanoRacks Operations: NA	
	Other: Victor Dube, Quad-M, inc. 8-2-2014	
Approval	Mike Johnson, CTO, NanoRacks: 	8-11-2014

3 Change Notifications

3.1 NRCSD Guide Rail Dimensions

The NanoRacks CubeSat Deployer (NRCSD) interior structure has four sets of guide rails which interface to corresponding CubeSat rails. Section 4.5, Figure 5 of the NRCSD ICD Rev 36, depicts the NRCSD guide rails having width of 2.5mm.



Document: NR-SRD-063	NRCSD ICD Change Notice	NANORACKS
Classification: Public Domain	Date: August 11, 2014	Revision 0.1

NRCSDs manufactured after June 2014 (NanoRacks CubeSat Mission 2 and thereafter) have guide rail width of 2.25mm as shown in Figure 5 below. There is a difference between the physical envelope and allowable envelope do to the addition of the Keep Out Zone depicted in red. There is no change to the allowable envelope which is denoted in Figure 5 below as dimensions proceeded by an asterisk (*).

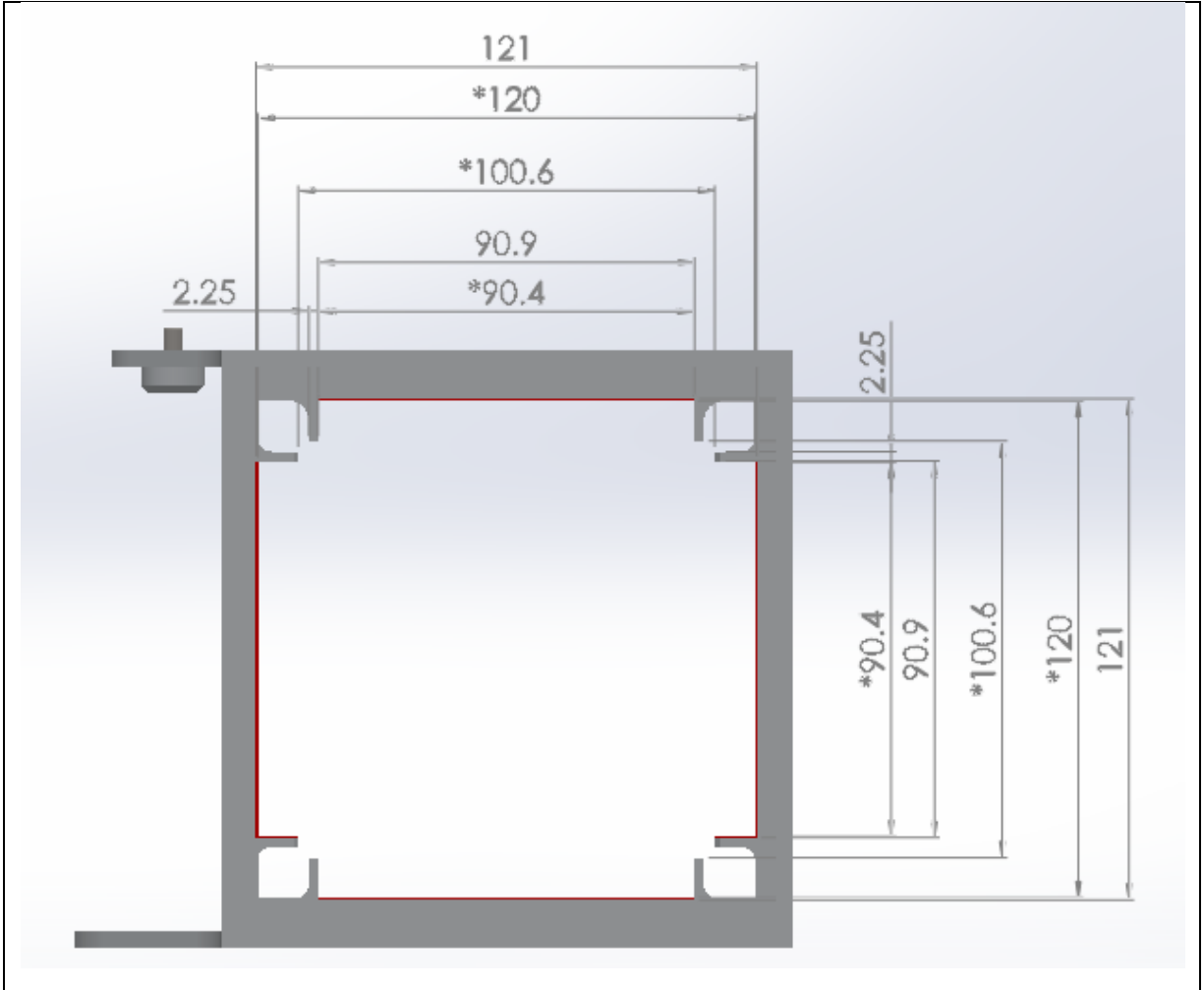
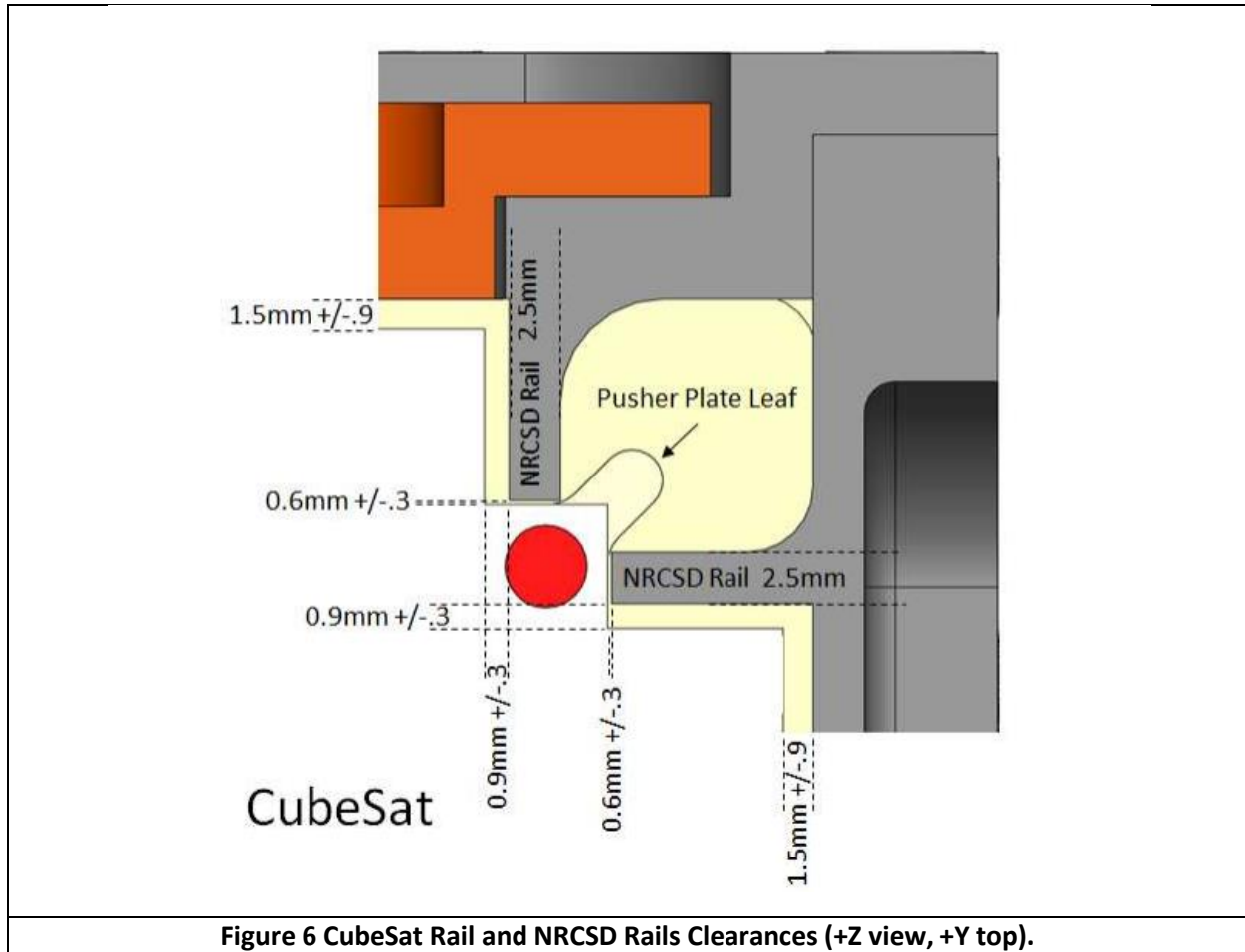


Figure 5 NRCSD Guide Rail Width (+Z view, +Y top).

Section 4.5, Figure 6 of the NRCSD ICD Rev 36, depicts the NRCSD guide rails having width of 2.5mm.



NRCSDs manufactured after June 2014 (NanoRacks CubeSat Mission 2 and thereafter) have guide rail width of 2.25mm as shown in Figure 6 below.

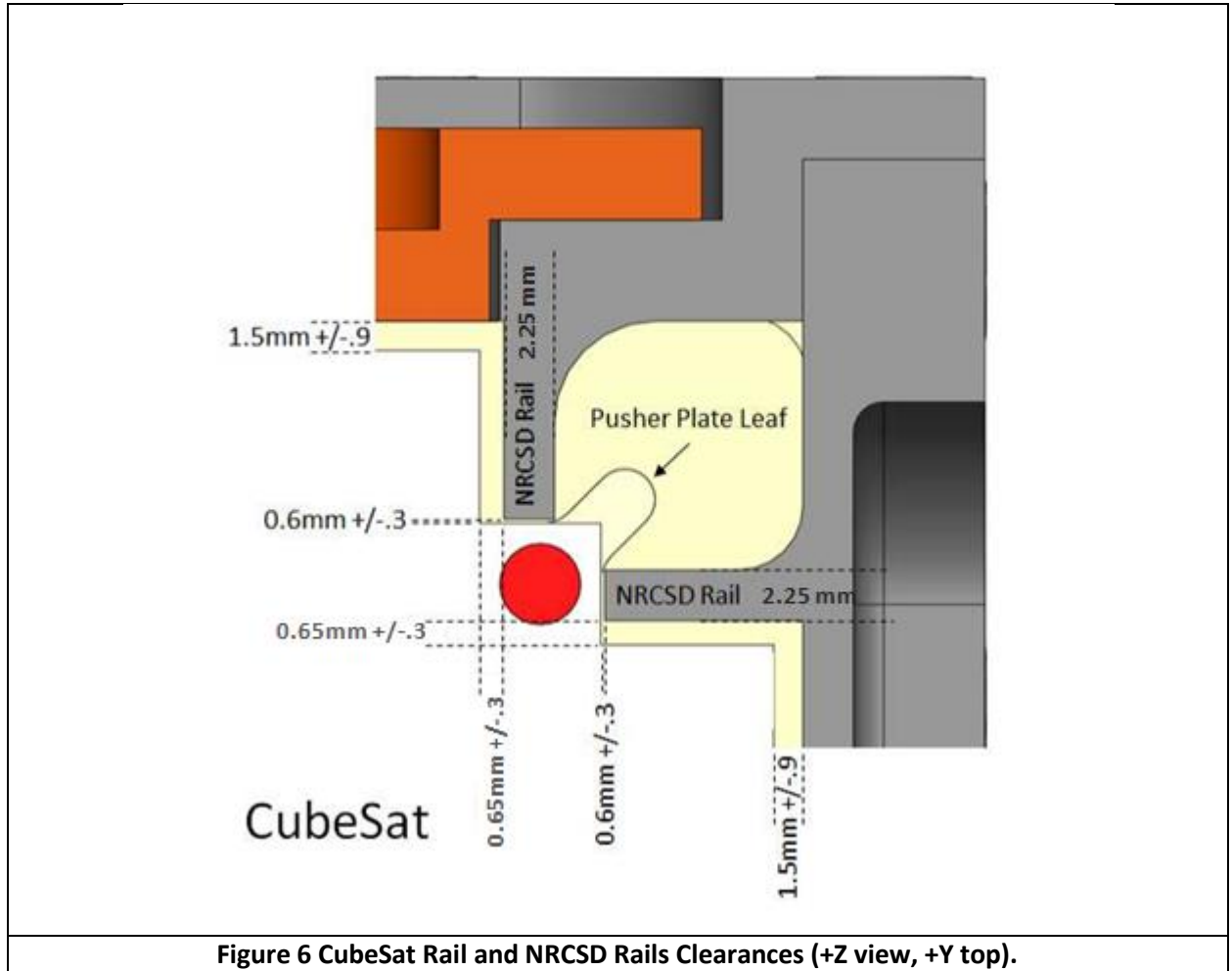
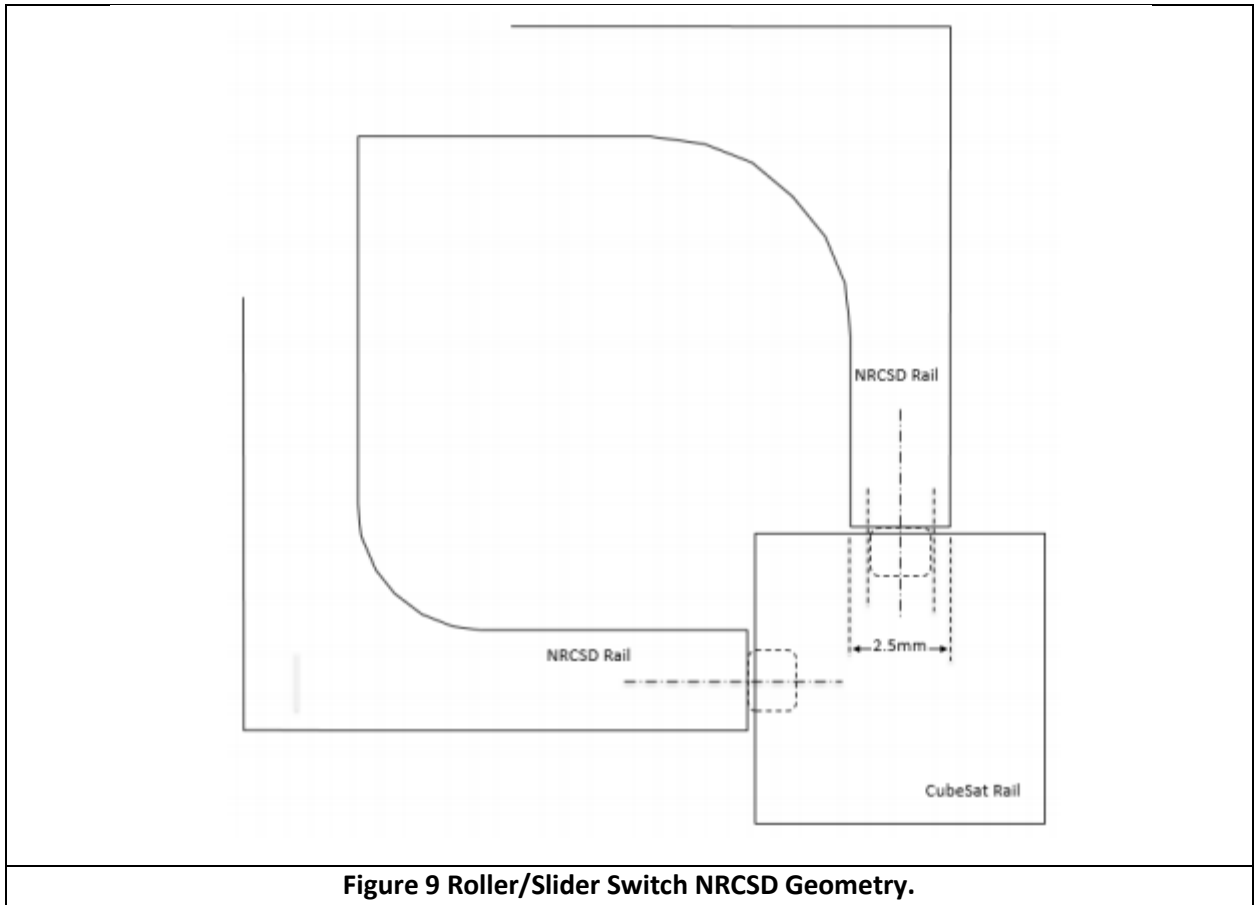


Figure 6 CubeSat Rail and NRCSD Rails Clearances (+Z view, +Y top).

Section 4.7, Figure 9 of the NRCSD ICD Rev 36, depicts the NRCSD guide rails having width of 2.5mm.



NRCSDs manufactured after June 2014 (NanoRacks CubeSat Mission 2 and thereafter) have guide rail width of 2.25mm as shown in Figure 9 below.

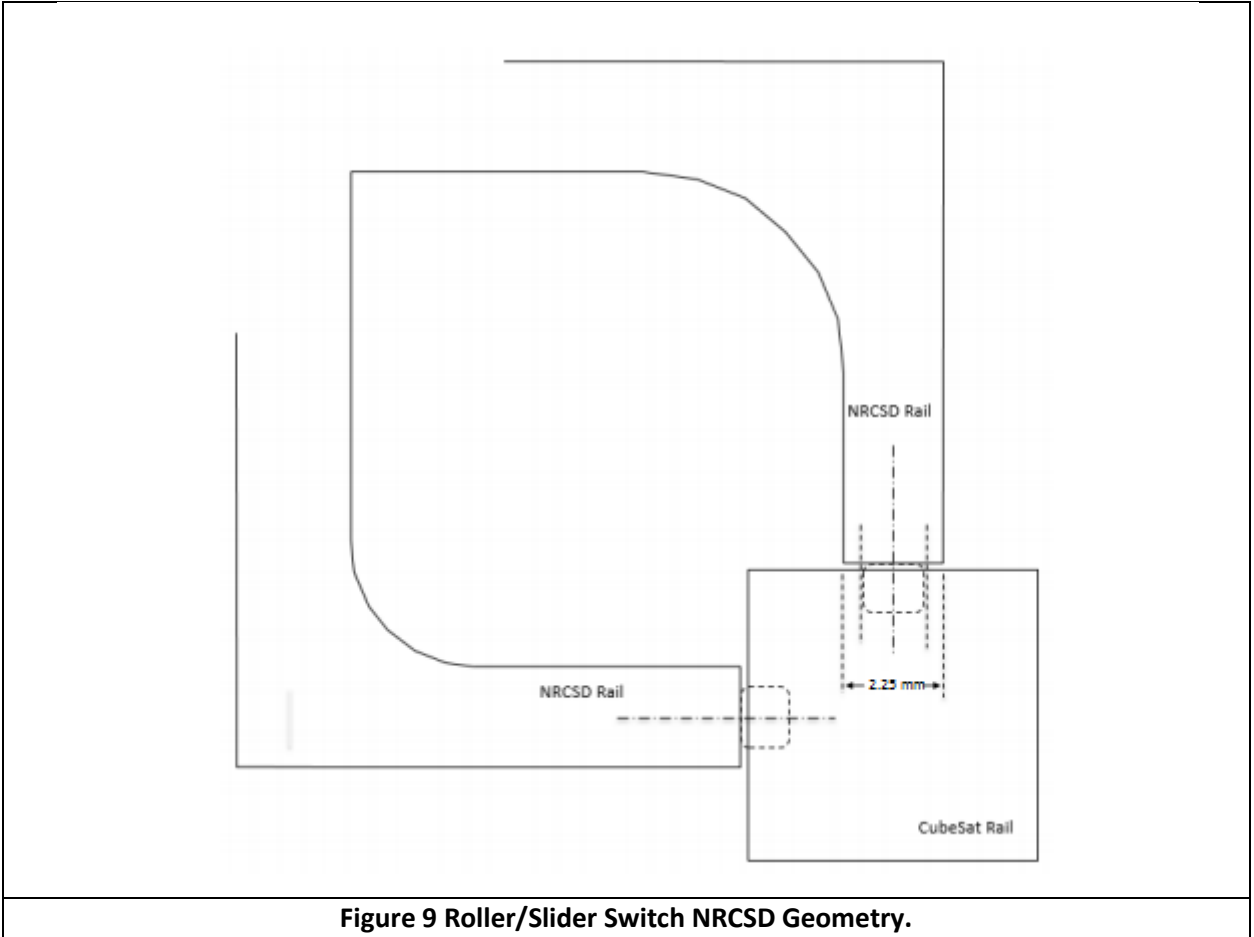


Figure 9 Roller/Slider Switch NRCSD Geometry.

End of Document